

## Digital Manual Call Point

DI-9204



### Features and Benefits

1. Semi-flush or Surface mounted
2. Compatible with latest EN standards
3. Re-settable (non-breaking glass)
4. Optional flipping plastic cover (C-92FC)
5. Optional back box for surface mount
6. LED indicator
7. Electronically addressed (by P-9910B)
8. Friendly installation and test

### Description

Designed for the purpose of raising an alarm manually once verification of a fire or emergency condition has occurred. By pressing the non breakable glass. Meets the standard requirement of EN 54 part 11, European Standard and approved by Loss Prevention Certificate Board (LPCB).

The DI-9204 constructed of high impact red ABS with a modern pleasing appearance. The terminating back box enables first fix installation and termination leaving the fascia with integral electronics to be simply plugged into base at the time of commissioning. Non breakable glass that can be reset with the GST standard reset key.

The DI-9202 operated via a micro-switch that when pressed a signal will be transmitted to the panel. Contains integral LED indicator to confirm operation.

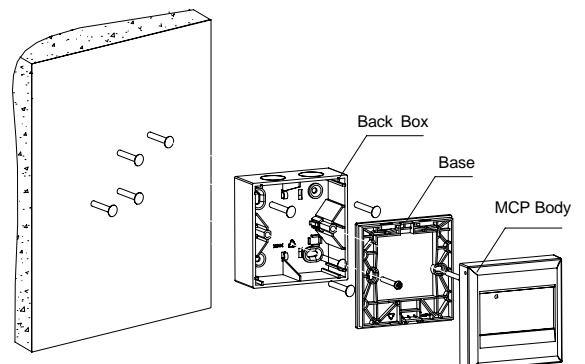
Electronic addressing can be done through Handheld Programming device (P-9910B), purchased separately.

### Technical Specifications

- Standard: EN54-part 11
- Approval: LPCB, CE
- Protection rating: IP 43
- Operating voltage: 24Vdc Loop
- Operating current:
  - Standby current 0.6mA
  - Alarm Current 1.8mA
- Operating temperature: -10°C to +50°C
- Relative humidity: 95%
- Application: Indoor use
- Visual Indicator: LED, Red ( lit steady when alarm, 3 sec interval blinking at normal state)
- Front Cover: Plastic glass (optional)
- Material and colour: ABS, red
- Wiring: 1 pair non polarized
- Dimensions:
  - 87.1mm×87.1mm×58mm (with backbox)/87.1mm×87.1mm×23mm (without back box)

### Mounting Base

The manual call point should be installed in compliance with all local codes having a jurisdiction in your area or NFPA 72 National Fire Alarm Code, NFPA 70 National Electrical Code, BS 5389 and EN54. Surface mount and it is installed onto a standard one gang electrical box with a mounting hole that has 52mm~68mm spacing.



**GST England** Lion Court, Staunton Harold Hall, Melbourne Road, Ashby de la Zouch, Leicestershire, England LE65 1RT Tel: +44 1283 225 478 Fax: +44 1283 220 690

**GST Dubai** ZA04, Jebel Ali Free Zone, P.O.Box 17998, Dubai UAE  
Tel: +971 (0)4 8833 050 Fax: +971 (0)4 8833 053

**GST China** 80, Changjiang East Road, Economic & Technology Development Zone Qinhuangdao, Hebei, China Tel: +86(0)335 850 2383 Fax: +86 (0)335 850 7588



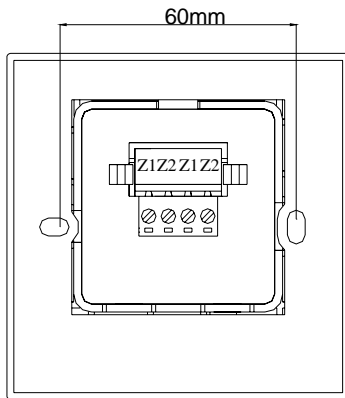
www.gst.uk.com  
info@gst.uk.com

## Digital Manual Call Point

DI-9204

### Wiring and Connection

Connect the wires to the required terminal according to the wiring diagram. The Z1, Z2 is for addressable Loop, non-polarized. The cable must be fire rated type and the size depends on the distance and application. Minimum size gauge is 1.0mm<sup>2</sup>.



### Selection of compatible Control Panels

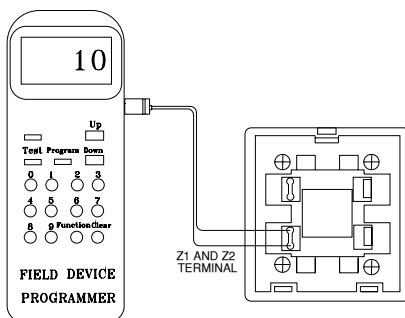
Compatible with all GST Fire Alarms Panels GST 100, GST 200/2, GST IFP8, GST 5000, GST 9000.

### Ordering Information

Part No	Description	Weight /Kg	Pack Qty per Box
DI-9204	Addressable Manual Call Point	0.16	120
C-92FC	Anti Tamper Security Cover	0.03	120

### Programming

The address of the manual call point can be programmed using GST handheld programmer (P-9910B), purchased separately. Connect the two wires of the handheld programmer to Z1 and Z2 terminals of the manual call point (DI-9204)



MANUFACTURED IN ACCORDANCE WITH



Note: Specifications are subject to change without notice.

**GST England** Lion Court, Staunton Harold Hall, Melbourne Road, Ashby de la Zouch, Leicestershire, England LE65 1RT Tel: +44 1283 225 478 Fax: +44 1283 220 690

**GST Dubai** ZA04, Jebel Ali Free Zone, P.O.Box 17998, Dubai UAE Tel: +971 (0)4 8833 050 Fax: +971 (0)4 8833 053

**GST China** 80, Changjiang East Road, Economic & Technology Development Zone Qinhuangdao, Hebei, China Tel: +86(0)335 850 2383 Fax: +86 (0)335 850 7588



www.gst.uk.com  
info@gst.uk.com